

PRICELIST 2026

LAUNDRY CHUTE

YOUR PARTNER JEREMIAS

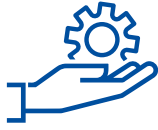
The Jeremias Group, headquartered in Wassertrüdingen (Bavaria), is one of the world's leading manufacturers of flue systems and chimney systems in all areas of heat and power generation for industrial and residential applications.

Strong, open and international – that's how we have been presenting ourselves for almost 50 years. Worldwide production sites and sales offices represent entrepreneurial success, ambitious visions and healthy growth.

With innovative products, outstanding service and highly qualified employees, we want to inspire our customers every day and achieve the goal of sustainable joint success.

Currently, our product range includes more than 100 different CE-certified systems for private and commercial applications as well as free-standing steel chimneys with a diameter of up to four meters.





SERVICE

- Flexible production
- Special solutions tailored to customer needs
- Planning support and designing advice
- Chimney calculation
- Chimney sizing
- Country specific approvals
- Professional customer service
- Free software solutions



QUALITY

- More than 100 CE-certified systems
- CNC laser cutting and stamping technology
- Special stainless steel alloys
- Condensate/gas tight, polished welding seams
- 25-year guarantee
- ISO 9001 certified



INNOVATION

- The largest range of products in the market
- System development with boiler, CHP and stove manufacturers
- In-house development of manufacturing machines
- In-house test facility for stainless steel chimney systems and silencers
- Computer-based simulations



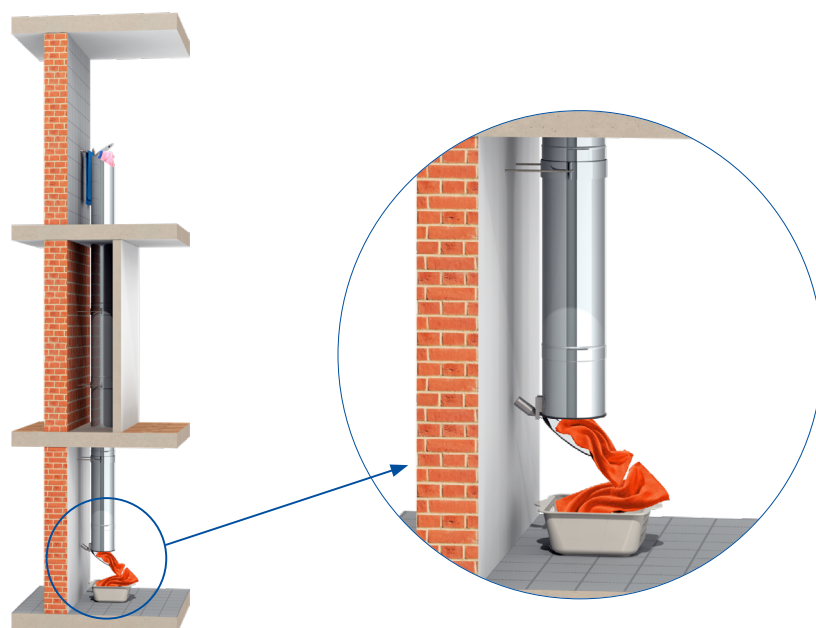
THE MOST DIRECT ROUTE TO THE WASHING MACHINE

A stainless-steel laundry chute offers many advantages as it makes it easy to get rid of dirty laundry in no time, transporting it straight to where it belongs: to the washing machine. Ideally, a laundry chute is already included in the design of the building. But even in existing buildings, e.g. unused chimneys can be converted into a laundry discharge shaft.



Whether a freestanding design terminal or an integrated entrance door in the wall, with or without entrance door in the mezzanine floor, ejector tube with cap or flanged tail pipe: Depending on the structural conditions and personal preferences, various solutions are available. A special highlight of our laundry chutes product range is the ejector tube with cap.

Once adjusted precisely, the screwable counterweight ensures that the lid opens reliably even with minimal laundry weight and closes automatically once the laundry has been discharged.

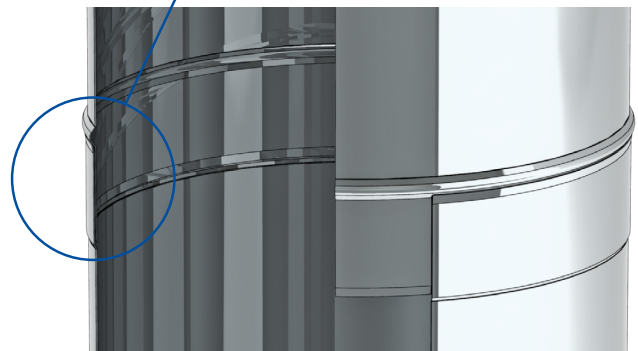
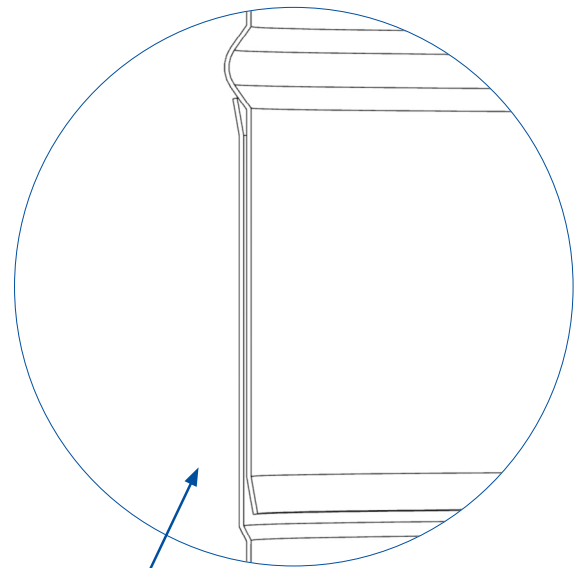




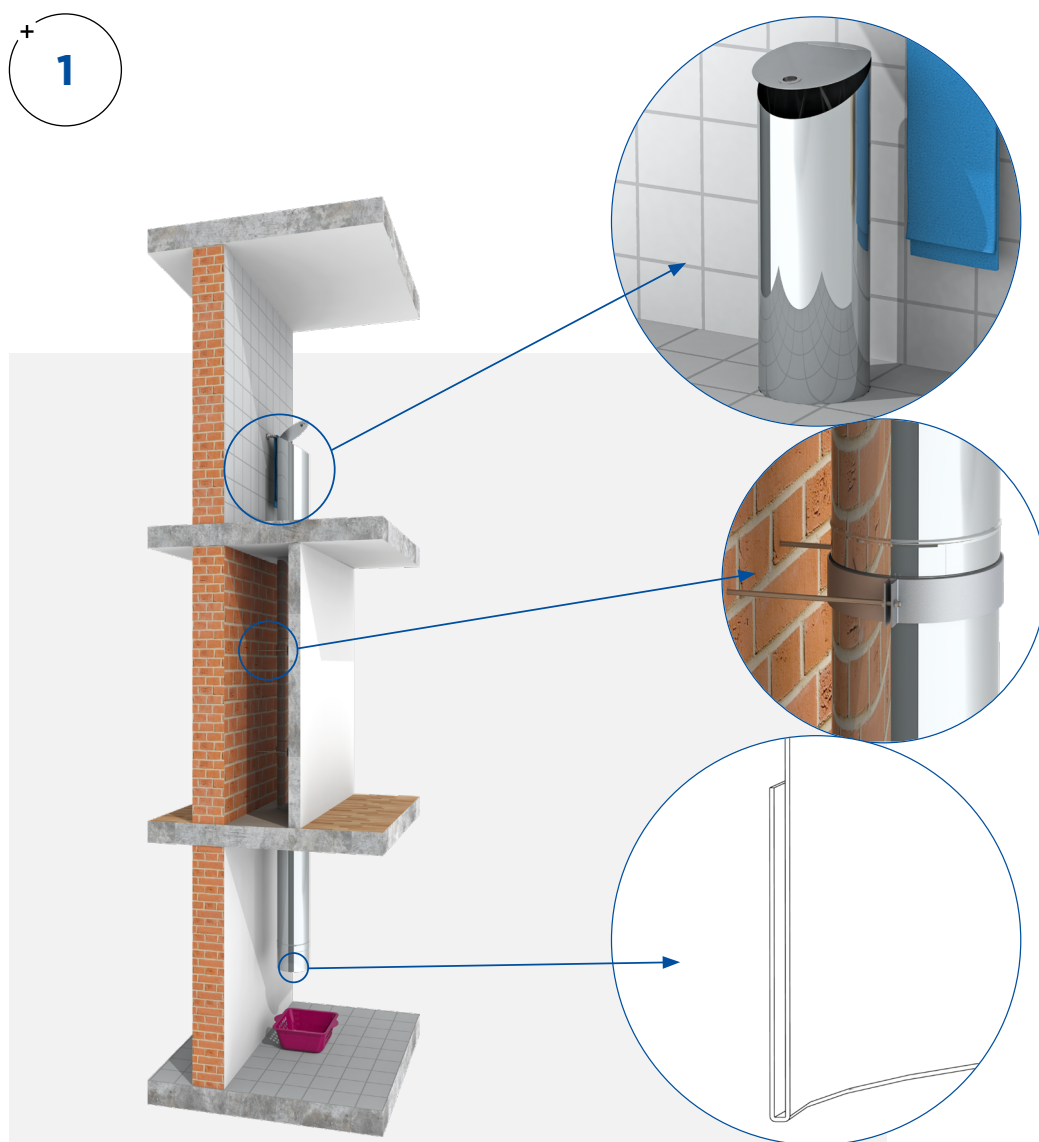
CHARACTERISTICS

TECHNICAL DETAILS

- Sophisticated, well thought out plug-in system for easy installation
- Made in Germany
- 25 years warranty
- Stainless steel 1.4301 (304) in high gloss
- Visible elements on request available in brushed or painted surface
- Available on the surface
- No static charge (compared to plastic systems)
- Plug-in direction prevents sharp-edged transitions in the pipe, where laundry may get caught or damaged
- Optional automatic flap or flanged ejection pipes available
- Available in three diameters (250, 285 and 300mm)
- Entry doors have noiseless locking mechanism
- Child safety through lockable entry doors: WA1936, 1937, 1950 and 1951
- Design terminals as a visual highlight



SELECTED INSTALLATION MODELS



MODEL 1:

Laundry chute with top loader WA33 terminal intake door on the top floor and flared discharge pipe WA06518 as end piece in the cellar.

⁺
2

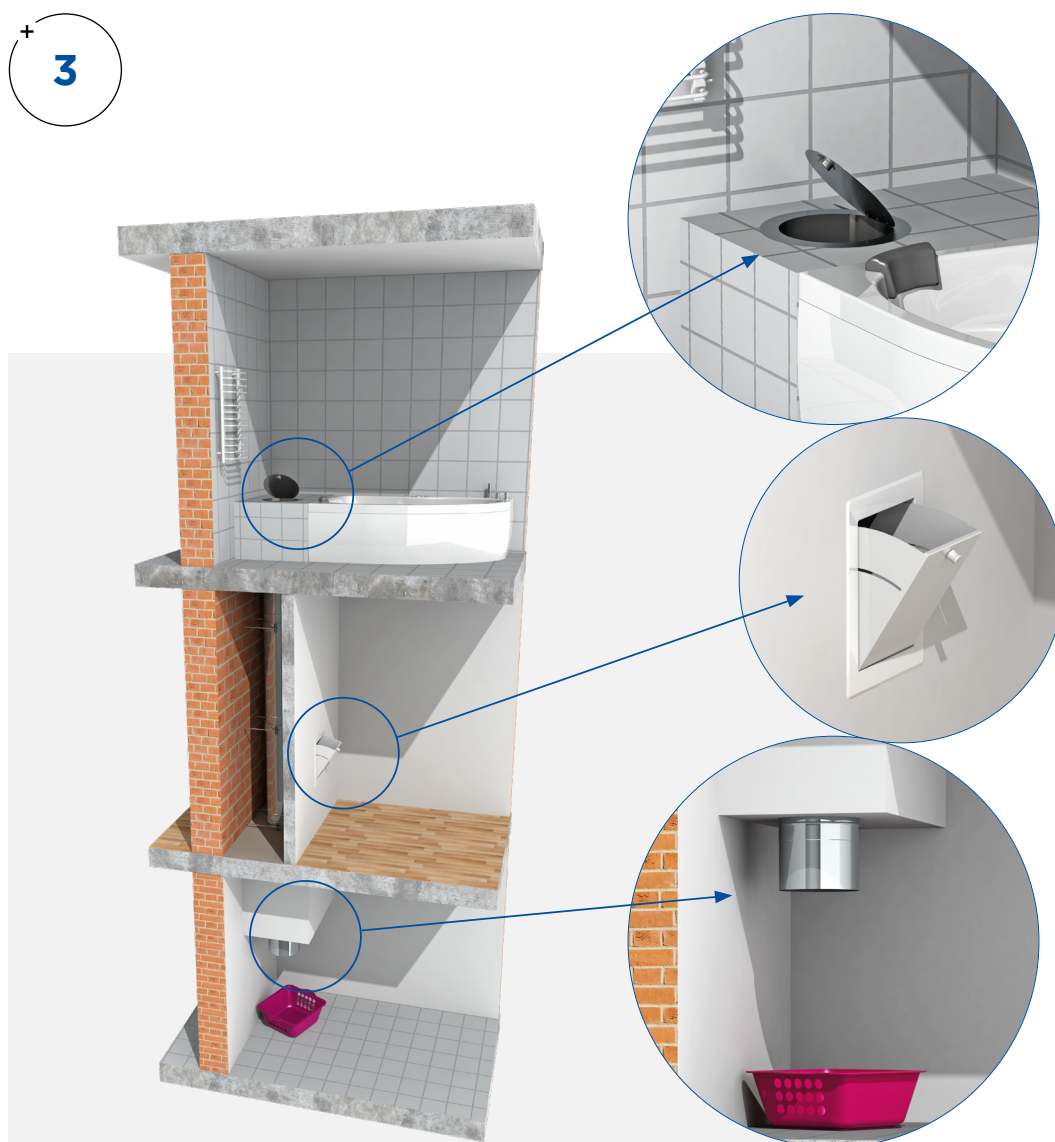


MODEL 2:

Laundry shaft with design intake terminal door WA06428 on the top floor, intermediate intake door WA06429 on the ground floor and one discharge pipe with self-closing cover WA730 in the basement.

SELECTED INSTALLATION MODELS

⁺
3



MODEL 3:

Laundry chute with round intake door WA418 on the top floor, lockable intermediate insert WA1950 on the ground floor and a flanged discharge pipe WA06518 in the basement.



SYSTEM LAUNDRY CHUTE

ADVANTAGES:

- Simple and comfortable handling
- No more smelly laundry in bathrooms, rooms and staircases
- No need any more to carry full dirty laundry baskets through the house
- Laundry lands directly in laundry basket near the washing machine
- Feed door prevent drafts and heat loss in the rooms

APPLICATION AREA:

- Easy to install in new buildings
- Also possible to use in existing buildings, e.g. in not used chimney
- Suitable for single family homes as well as commercial use (hospital, hotels, retirement homes, ..)

The fire protection requirements must be clarified by the customer.





System LAUNDRY CHUTE

Length 980mm with intake door oval at top incl. shell-type handle & hinge

Floor cover ring for WA33, brushed

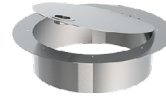
Intake door l=980mm with hinged door closed at the top

Intake door with design-door, l=980mm, open top

Intake door round, for horizontal installation, brushed

Intake door 340x450mm with door lockstop on the side, painted white

Intake door 340x450mm with door lockstop on the side, smoothed



WA330		WA910		WA4280		WA064290		WA4180		WA1936		WA1937	
250	795,00 €	250	28,00 €	250	605,00 €	250	512,00 €	250	360,00 €	833,00 €		833,00 €	
285	851,00 €	285	32,00 €	285	678,00 €	285	585,00 €	285	392,00 €				
300	875,00 €	300	37,00 €	300	756,00 €	300	661,00 €	300	426,00 €				

Intake door 340x450mm with tilting lid, knob and spigot l=100mm, painted white

Intake door 340x450mm with tilting lid, knob and spigot l=100mm

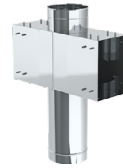
Intake door, l=980mm

Intake door on both sides l=1000mm

Intake door extension 358x259mm

Elbow 15°

Elbow 30°



WA1950		WA1951		WA06070		WA066220		WA082809358259		WA06160		WA06170	
806,00 €		806,00 €		250	215,00 €	250	275,00 €	125,00 €		250	100,00 €	250	100,00 €
				285	238,00 €	285	290,00 €			285	110,00 €	285	110,00 €
				300	250,00 €	300	309,00 €			300	120,00 €	300	120,00 €

Elbow 45°

T-135° with outlet EW female

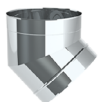
Length 1000mm

Length 500mm

Length 330mm

Length 150mm

Base plate for intermediate support without bend



WA06180		WA082610M0		WA06130		WA06140		WA062070		WA062240		WA0628070	
250	105,00 €	250	206,00 €	250	107,00 €	250	63,00 €	250	57,00 €	250	27,00 €	250	100,00 €
285	113,00 €	285	224,00 €	285	118,00 €	285	70,00 €	285	63,00 €	285	31,00 €	285	108,00 €
300	124,00 €	300	230,00 €	300	129,00 €	300	77,00 €	300	70,00 €	300	34,00 €	300	114,00 €

Adaptor laundry shaft to KG-pipe, inserting into KG female part

Adaptor KG-pipe to laundry shaft, overlapping KG-pipe, inserting into laundry shaft female part

Discharge pipe l=240mm

Discharge pipe l=95mm



WA06297ØØ				WA062789ØØ				WA06518Ø		WA06296Ø					
A	250	74,00 €	A	300	87,00 €	A	250	62,00 €	A	300	72,00 €	250	69,00 €	250	43,00 €
B	250		B	300		B	250		B	300		285	76,00 €	285	46,00 €
A	285	79,00 €	A	300	68,00 €			300	79,00 €	300	52,00 €				
B	300		B	285											

Laundry collection bag

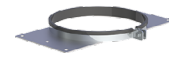
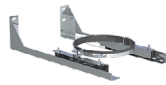
Discharge pipe with self-closing lid, l=323mm

Self-closing lid

Wall support soundproof

Support locking band with 2 arms

Bracket for intermediate ceiling



WA1992Ø			WA730Ø		WA1974Ø		WA385Ø		WA10Ø		WA492Ø	
250	45 l	203,00 €	250	209,00 €	250	202,00 €	250	85,00 €	250	127,00 €	250	99,00 €
285	65 l	235,00 €	285	217,00 €	285	215,00 €	285	93,00 €	285	154,00 €	285	110,00 €
300	95 l	239,00 €	300	221,00 €	300	227,00 €	300	106,00 €	300	159,00 €	300	115,00 €

Static bracket 90°

Adjustable wall bracket 130-210mm

Wall bracket including threaded rod M10

Closing lid with handle

Locking band



WA589Ø		WA493Ø		WA61Ø		WA11Ø		WA41Ø	
250	116,00 €	250	83,00 €	250	51,00 €	250	63,00 €	250	31,00 €
285	125,00 €	285	87,00 €	285	57,00 €	285	69,00 €	285	34,00 €
300	129,00 €	300	91,00 €	300	61,00 €	300	75,00 €	300	37,00 €

GERMANY

Jeremias Abgastechnik GmbH

Opfenrieder Str. 12
D-91717 Wassertrüdingen
Phone: +49 9832 6868-50
E-Mail: info@jeremias.de
www.jeremias.de/en

POLAND
www.jeremias.pl

USA
www.jeremiasinc.com

SPAIN
www.jeremias.es

CROATIA
www.jeremias.hr

ITALY
www.jeremias.it

CZECH REPUBLIC
www.jeremias.cz

FINLAND
www.jeremias.fi

FRANCE
www.jeremias.fr

UNITED KINGDOM
www.jeremias.uk

Jeremias high quality products to be installed only by selected experts.

The expert in your area: