



# Fire protection implementation LUX-NOVA

## DESCRIPTION

Variable shortenable wall, ceiling and roof duct for carrying out chimneys flues and connecting pieces

Variant 1: with pipe cut

Variant 2: without pipe cut

## MATERIAL

Housing made of temperature resistant fireproof material

## NOMINAL DIAMETER (DN)

Up to DN 250 mm

## INSTALLATION DIMENSIONS

430 x 430 mm, 480 x 480 mm (measure B),

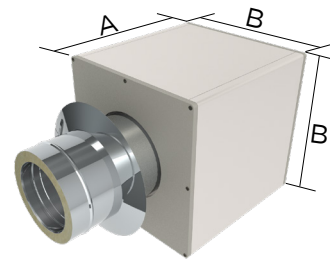
Length up to 496 mm (measure A)

Up to 530 x 530 mm (only LUX-NOVA variant 2)

Length up to 496 mm (measure A)

## WALL THICKNESS

of penetrated walls, ceilings or roof:  
up to max. 496 mm



## CHARACTERISTICS

- Only 140 mm from inner tube to combustible materials
- Fast and easy installation
- Also suitable for later installations
- Can be fitted with each exhaust system (EW, DW) and each stovepipe
- Suitable for passive and low-energy houses with a special adapter rubber for vapor barrier (blower door test-capable)
- Compact ready solution
- Industrially manufactured with consistent quality fire protection
- Individual wall thicknesses and roof pitches practicable
- Length adaptable on site
- Simple and secure connection with the building structure by stable outer shell

## APPLICATION

- Penetration designed for walls made of combustible materials
- Meets the requirements of the combustion regulations of German federal states and of DIN V 18160-1
- Certified for flue pipes of exhaust systems or chimneys up to temperature classification T400
- Developed for use in inside and exterior walls
- Significant reduction of the lateral distance for pipe penetrations compared to FeuVo

## LICENSE NUMBER

Z - 7.4 - 3487

## WALL PENETRATIONS / ROOF PENETRATIONS 0°

|                   | DN Ø smoke pipe<br>in mm | Component length in<br>mm, Dimension A | External dimensions<br>in mm dimension b | EW pipe cutout<br>in mm | Price<br>EW - Variant<br>*1 |                   | DN Ø smoke pipe<br>in mm | Component length in<br>mm, Dimension A | External dimensions<br>in mm dimension b | DW pipe cutout<br>in mm | Price<br>EW - Variant |
|-------------------|--------------------------|--|--|-------------------------|-----------------------------|-------------------|--------------------------|--|--|-------------------------|-----------------------|
| LUX-NOVA-GP-EW12Ø | 130                      | 120                                    | 430x430                                  | 140                     | 308,00 €                    | LUX-NOVA-GP-DW12Ø | 130                      | 120                                    | 430x430                                  | 210                     | 308,00 €              |
| LUX-NOVA-GP-EW24Ø | 130                      | 240                                    | 430x430                                  | 140                     | 363,00 €                    | LUX-NOVA-GP-DW24Ø | 130                      | 240                                    | 430x430                                  | 210                     | 363,00 €              |
| LUX-NOVA-GP-EW36Ø | 130                      | 360                                    | 430x430                                  | 140                     | 548,00 €                    | LUX-NOVA-GP-DW36Ø | 130                      | 360                                    | 430x430                                  | 210                     | 548,00 €              |
| LUX-NOVA-GP-EW40Ø | 130                      | 400                                    | 430x430                                  | 140                     | 615,00 €                    | LUX-NOVA-GP-DW40Ø | 130                      | 400                                    | 430x430                                  | 210                     | 615,00 €              |
| LUX-NOVA-GP-EW50Ø | 130                      | 496                                    | 430x430                                  | 140                     | 709,00 €                    | LUX-NOVA-GP-DW50Ø | 130                      | 496                                    | 430x430                                  | 210                     | 709,00 €              |
| LUX-NOVA-GP-EW12Ø | 150                      | 120                                    | 430x430                                  | 160                     | 308,00 €                    | LUX-NOVA-GP-DW12Ø | 150                      | 120                                    | 430x430                                  | 230                     | 308,00 €              |
| LUX-NOVA-GP-EW24Ø | 150                      | 240                                    | 430x430                                  | 160                     | 363,00 €                    | LUX-NOVA-GP-DW24Ø | 150                      | 240                                    | 430x430                                  | 230                     | 363,00 €              |
| LUX-NOVA-GP-EW36Ø | 150                      | 360                                    | 430x430                                  | 160                     | 548,00 €                    | LUX-NOVA-GP-DW36Ø | 150                      | 360                                    | 430x430                                  | 230                     | 548,00 €              |
| LUX-NOVA-GP-EW40Ø | 150                      | 400                                    | 430x430                                  | 160                     | 615,00 €                    | LUX-NOVA-GP-DW40Ø | 150                      | 400                                    | 430x430                                  | 230                     | 615,00 €              |
| LUX-NOVA-GP-EW50Ø | 150                      | 496                                    | 430x430                                  | 160                     | 709,00 €                    | LUX-NOVA-GP-DW50Ø | 150                      | 496                                    | 430x430                                  | 230                     | 709,00 €              |
| LUX-NOVA-GP-EW36Ø | 160                      | 360                                    | 480x480                                  | 170                     | 615,00 €                    | LUX-NOVA-GP-DW36Ø | 160                      | 360                                    | 480x480                                  | 240                     | 615,00 €              |
| LUX-NOVA-GP-EW40Ø | 160                      | 400                                    | 480x480                                  | 170                     | 654,00 €                    | LUX-NOVA-GP-DW40Ø | 160                      | 400                                    | 480x480                                  | 240                     | 654,00 €              |
| LUX-NOVA-GP-EW50Ø | 160                      | 496                                    | 480x480                                  | 170                     | 754,00 €                    | LUX-NOVA-GP-DW50Ø | 160                      | 496                                    | 480x480                                  | 240                     | 754,00 €              |
| LUX-NOVA-GP-EW12Ø | 180                      | 120                                    | 480x480                                  | 190                     | 322,00 €                    | LUX-NOVA-GP-DW12Ø | 180                      | 120                                    | 480x480                                  | 260                     | 322,00 €              |
| LUX-NOVA-GP-EW24Ø | 180                      | 240                                    | 480x480                                  | 190                     | 402,00 €                    | LUX-NOVA-GP-DW24Ø | 180                      | 240                                    | 480x480                                  | 260                     | 402,00 €              |
| LUX-NOVA-GP-EW36Ø | 180                      | 360                                    | 480x480                                  | 190                     | 615,00 €                    | LUX-NOVA-GP-DW36Ø | 180                      | 360                                    | 480x480                                  | 260                     | 615,00 €              |
| LUX-NOVA-GP-EW40Ø | 180                      | 400                                    | 480x480                                  | 190                     | 655,00 €                    | LUX-NOVA-GP-DW40Ø | 180                      | 400                                    | 480x480                                  | 260                     | 654,00 €              |
| LUX-NOVA-GP-EW50Ø | 180                      | 496                                    | 480x480                                  | 190                     | 754,00 €                    | LUX-NOVA-GP-DW50Ø | 180                      | 496                                    | 480x480                                  | 260                     | 754,00 €              |
| LUX-NOVA-GP-EW12Ø | 200                      | 120                                    | 480x480                                  | 210                     | 322,00 €                    | LUX-NOVA-GP-DW12Ø | 200                      | 120                                    | 480x480                                  | 280                     | 322,00 €              |
| LUX-NOVA-GP-EW24Ø | 200                      | 240                                    | 480x480                                  | 210                     | 402,00 €                    | LUX-NOVA-GP-DW24Ø | 200                      | 240                                    | 480x480                                  | 280                     | 402,00 €              |
| LUX-NOVA-GP-EW36Ø | 200                      | 360                                    | 480x480                                  | 210                     | 615,00 €                    | LUX-NOVA-GP-DW36Ø | 200                      | 360                                    | 480x480                                  | 280                     | 615,00 €              |
| LUX-NOVA-GP-EW40Ø | 200                      | 400                                    | 480x480                                  | 210                     | 654,00 €                    | LUX-NOVA-GP-DW40Ø | 200                      | 400                                    | 480x480                                  | 280                     | 654,00 €              |
| LUX-NOVA-GP-EW50Ø | 200                      | 496                                    | 480x480                                  | 210                     | 754,00 €                    | LUX-NOVA-GP-DW50Ø | 200                      | 496                                    | 480x480                                  | 280                     | 754,00 €              |

- \*1 For single-walled pipes, please always order insulation shell FU39-25!

Please note that adhesive L69-1 is always included.

LUX-NOVA including insulation shell is also available as a SET. Ordercode:  
LUX-NOVA-GP-EW...-SET

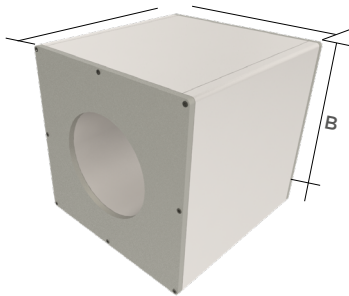
### FACT-BOX LUX-NOVA Variant 1

- Quick and easy installation
- Also suitable for subsequent installation on the construction site
- Can be used with any exhaust system (stainless steel single-walled and double-walled, stove pipes)
- Tested and approved max. installation length 496 mm
- Individual wall thicknesses can be achieved
- Length can be shortened on site to 72 mm
- Simple and secure connection to the building structure thanks to stable outer cover
- All penetrations are already pre-primed so that the vapor barrier film can be attached using a sealing sleeve
- The change from double-walled to single-walled can take place within the penetration or with DW-Length element with integrated wall lining
- Individual custom-made products with length adjustment and pipe cutout can be delivered ready-made according to customer requirements (see accessories table)

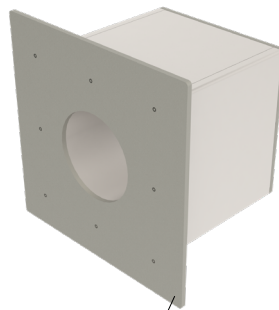


# Fire protection implementation LUX-NOVA

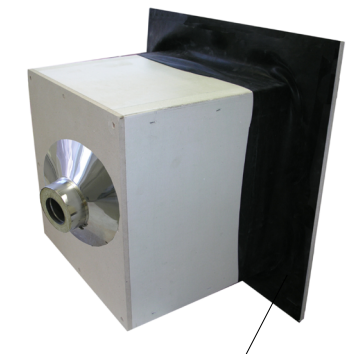
|                      |   |          |
|----------------------|---|----------|
| LUX-NOVA1551         | Surcharge for customised length                                   | 84,00 €  |
| LUX-NOVAPLEW130      | Cover plate 630x630mm for LUX-NOVA 430x430mm with pipe cutout     | 156,00 € |
| LUX-NOVAPLEW150      | Cover plate 630x630mm for LUX-NOVA 430x430mm with pipe cutout     | 156,00 € |
| LUX-NOVAPLEW160      | Cover plate 680x680mm for LUX-NOVA 480x480mm with pipe cutout     | 167,00 € |
| LUX-NOVAPLEW180      | Cover plate 680x680mm for LUX-NOVA 480x480mm with pipe cutout     | 167,00 € |
| LUX-NOVAPLEW200      | Cover plate 680x680mm for LUX-NOVA 480x480mm with pipe cutout     | 167,00 € |
| LUX-NOVAPLDW130      | Cover plate 630x630mm for LUX-NOVA 430x430mm with pipe cutout     | 156,00 € |
| LUX-NOVAPLDW150      | Cover plate 630x630mm for LUX-NOVA 430x430mm with pipe cutout     | 156,00 € |
| LUX-NOVAPLDW160      | Cover plate 680x680mm for LUX-NOVA 480x480mm with pipe cutout     | 167,00 € |
| LUX-NOVAPLDW180      | Cover plate 680x680mm for LUX-NOVA 480x480mm with pipe cutout     | 167,00 € |
| LUX-NOVAPLDW200      | Cover plate 680x680mm for LUX-NOVA 480x480mm with pipe cutout     | 167,00 € |
| LUX-NOVA1556.01      | Special seal 0-22° 430x430mm Set including silicone adhesive      | 135,00 € |
| LUX-NOVA1556.02      | Special seal 0-22° 480x480mm Set including silicone adhesive      | 137,00 € |
| LUX-NOVAABS1050X1050 | Heat radiation shield plate for 1050x1050x25mm for flammable wall | 340,00 € |
| LS69-1               | Glue (Tube 1000g)   | 13,00 €  |



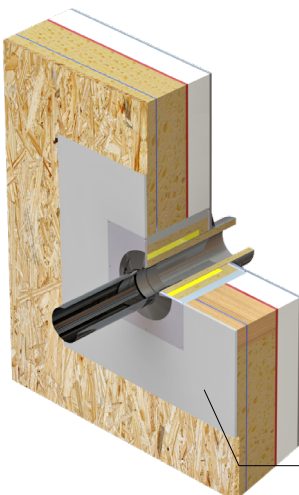
Example:  
LUX-NOVA with  $\varnothing$  pipe cutout  
140 mm for EW or  
210 mm for DW



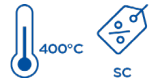
Accessories: Optionally, the wall duct can be ordered with connection plate for easier connection of the on-site vapor barrier and/or the special seal and fastening to the wall



Accessories: Special seal for connection to existing vapor barrier or in combination with connection plate

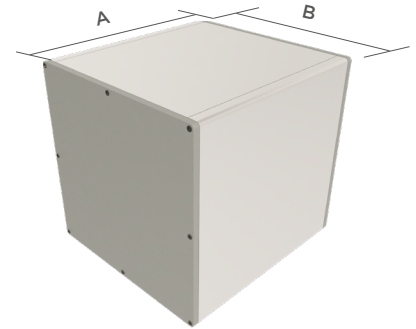


Accessories: Radiation protection plate for combustible wall

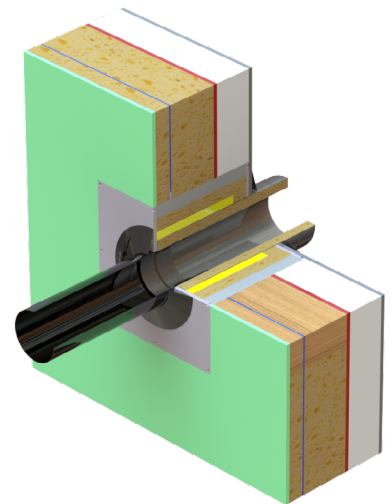


### WALL PENETRATIONS / ROOF PENETRATIONS 0°

|                   | DN Ø smoke pipe<br>in mm | Component length<br>in mm<br>Dimension A | Outsideabmessungen<br>in mm<br>Maße B | Price    |
|-------------------|--------------------------|--|---------------------------------------|----------|
| LUX-NOVA-GP-200.1 | bis 150                  | 200                                      | 430x430                               | 394,00 € |
| LUX-NOVA-GP-400.1 | bis 150                  | 400                                      | 430x430                               | 508,00 € |
| LUX-NOVA-GP-500.1 | bis 150                  | 500                                      | 430x430                               | 603,00 € |
| LUX-NOVA-GP-200.2 | 160-200                  | 200                                      | 480x480                               | 421,00 € |
| LUX-NOVA-GP-400.2 | 160-200                  | 400                                      | 480x480                               | 558,00 € |
| LUX-NOVA-GP-500.2 | 160-200                  | 500                                      | 480x480                               | 657,00 € |
| LUX-NOVA-GP-200.3 | 225-250                  | 200                                      | 530x530                               | 449,00 € |
| LUX-NOVA-GP-400.3 | 225-250                  | 400                                      | 530x530                               | 592,00 € |
| LUX-NOVA-GP-500.3 | 225-250                  | 500                                      | 530x530                               | 710,00 € |



LUX-NOVA without pipe cutout



### ACCESORIES

|                       |   |          |
|-----------------------|---|----------|
| LUX-NOVA1551          | Surcharge Zuschnitt auf Wunschlänge   | 84,00 €  |
| LUX-NOVA1552          | Surcharge beidseitiger Ausschnitt rund  | 84,00 €  |
| LUX-NOVAPL430         | Anschlussplatte 630x630mm passend für Wanddurchführung OHNE Lochausschnitt, Wandstärke 12mm | 99,00 €  |
| LUX-NOVAPL480         | Anschlussplatte 680x680mm passend für Wanddurchführung OHNE Lochausschnitt, Wandstärke 12mm | 113,00 € |
| LUX-NOVAPL530         | Anschlussplatte 730x730mm passend für Wanddurchführung OHNE Lochausschnitt, Wandstärke 12mm | 122,00 € |
| LUX-NOVA1556.01       | Special seal 0-22° 430x430mm Set including silicone adhesive                                | 135,00 € |
| LUX-NOVA1556.02       | Special seal 0-22° 480x480mm Set including silicone adhesive                                | 137,00 € |
| LUX-NOVA1556.03       | Special seal 0-22° 530x530mm Set including silicone adhesive                                | 140,00 € |
| LUX-NOVAAB-S1050X1050 | Strahlungsschutzplatte 1050x1050x25mm für brennbare Wand                                    | 340,00 € |
| LS69-1                | Glue (Tube 1000g)   | 13,00 €  |

#### Special seal for vapor barrier

When installing in a low-energy, passive or timber-frame prefabricated house, the fire protection duct must be connected to the vapor barrier film.

Depending on the outside dimensions of the duct, we offer special seals in different sizes as accessories. These are supplied together with a suitable silicone adhesive.

Together with the optionally available connection plate, a clean on-site seal can be created in order to meet the requirements of the blower door test.

### FACT-BOX LUX-NOVA Variant 2

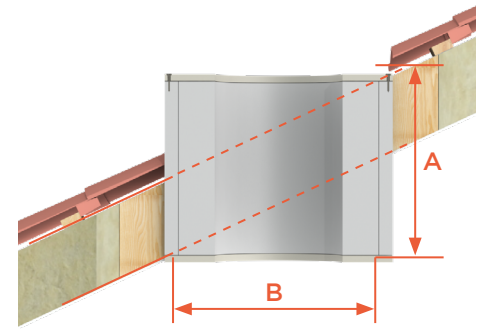
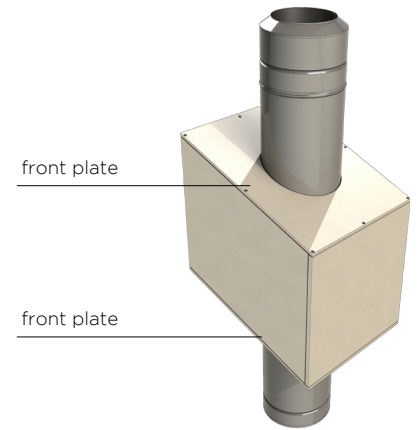
- Hole cutouts in the desired size can be made on site
- Can be used for different diameters, so little storage is required
- The hole cutout can be moved from the middle of the wall duct, provided that it is ensured that the distance from the exhaust gas-carrying inside pipe to the combustible component or to the outside dimension of the wall duct is not less than 140 mm at any point (see "the right size")
- Installation as a blind wall duct for later connection possible
- Quick and easy installation
- Also suitable for subsequent installation on the construction site
- Can be used for various exhaust systems (stainless steel single-walled and double-walled, stove pipes)
- Tested and approved for a maximum installation length of 496 mm
- Individual wall thicknesses and roof pitches can be realized (see accessories table)
- Length can be adjusted on site
- Simple and secure connection to the building structure thanks to stable outside cover
- All ducts are already pre-primed so that the vapor barrier film can be attached using a sealing sleeve
- The change from double-walled on single-walled can take place within the feedthrough or with DW-Length element with integrated wall lining
- Individual custom-made products with length adjustment, pipe cutouts and bevel cuts can be delivered ready-made according to customer requirements (see accessories table)



# LUX-NOVA SHORTABLE VARIABLY WITHOUT PIPE CUTOUT

## ROOF PENETRATION FOR PITCHED ROOF

|                    | DN Ø smoke pipe<br>in mm | Component length<br>in mm<br>Dimension A | Outside dimensions<br>in mm<br>Dimensions B | Price      |
|--------------------|--------------------------|--|---|------------|
| LUX-NOVA-GP-600.1  | bis 150                  | 600                                      | 430x430                                     | 610,00 €   |
| LUX-NOVA-GP-1000.1 | bis 150                  | 1000                                     | 430x430                                     | 894,00 €   |
| LUX-NOVA-GP-600.2  | 160-200                  | 600                                      | 480x480                                     | 669,00 €   |
| LUX-NOVA-GP-1000.2 | 160-200                  | 1000                                     | 480x480                                     | 946,00 €   |
| LUX-NOVA-GP-600.3  | *1 225-250               | 600                                      | 530x530                                     | 724,00 €   |
| LUX-NOVA-GP-1000.3 | *1 225-250               | 1000                                     | 530x530                                     | 1.040,00 € |



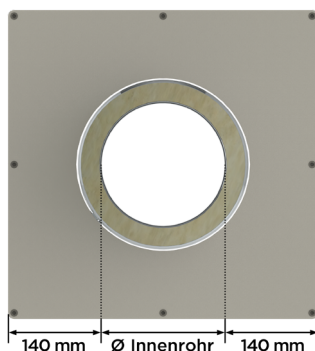
## ACCESORIES

|                 |  |          |
|-----------------|--|----------|
| LUX-NOVA1553    | Surcharge for bevel cut up to 45°                            | 167,00 € |
| LUX-NOVA1554    | Surcharge for bevel cut over 45°                             | 250,00 € |
| LUX-NOVA1555    | Surcharge for double-sided cutout elliptical                 | 167,00 € |
| LUX-NOVA1556.01 | Special seal 0-22° 430x430mm Set including silicone adhesive | 135,00 € |
| LUX-NOVA1556.02 | Special seal 0-22° 480x480mm Set including silicone adhesive | 137,00 € |
| LUX-NOVA1556.03 | Special seal 0-22° 530x530mm Set including silicone adhesive | 140,00 € |
| LUX-NOVA1557.01 | Special seal 23-45° Set including silicone adhesive          | 136,00 € |
| LUX-NOVA1557.02 | Special seal 23-45° Set including silicone adhesive          | 140,00 € |
| LUX-NOVA1557.03 | Special seal 23-45° Set including silicone adhesive          | 142,00 € |

### SPECIAL: PITCHED ROOF

When routing exhaust gases through a pitched roof, the roof pitch must be taken into account when selecting the appropriate fire protection duct. The greater the roof pitch, the greater the required length (dimension A) of the LUX-NOVA. The corresponding bevel cut as well as the elliptical pipe cut-out must be ordered from us as an additional service.

Calculation of the required component length:  
 $A = (\text{outside width } B \times \tan \text{ roof pitch}) + (\text{vertical component depth } C / \sin (90^\circ \text{ roof pitch}))$



### THE RIGHT SIZE

For our fire protection ducts, the minimum distance between the exhaust pipe and combustible components is 140 mm. If the pipe cutout is installed centrally, the required outside dimensions of the fire protection duct are calculated as pipe diameter + 280 mm. If the pipe cutout is eccentric, the deviation from the center point must be added accordingly. The distance must not be less than 140 mm on any side.

Please note that the minimum distances only apply to the combustible wall structure or the combustible components in the wall. The wall cladding must at least correspond to Appendix 2 - Pos. 1 of approval Z - 7.4 - 3487.

\*1 Please inquire about delivery time separately.

Please note that adhesive L69-1 is always included.

LUX-NOVA including insulation shell is also available as a SET. Order code: LUX-NOVA-GP-EW...-SET