

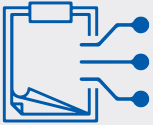
# EXHAUST FAN E-FLOW-RS



The **E-FLOW-RS** has been specifically designed to improve the draft of fireplaces with low nominal heat outputs in family homes. Its **exhaust fan** creates increased negative pressure in the chimney, which supports, among other things, in the ignition of combustibles.

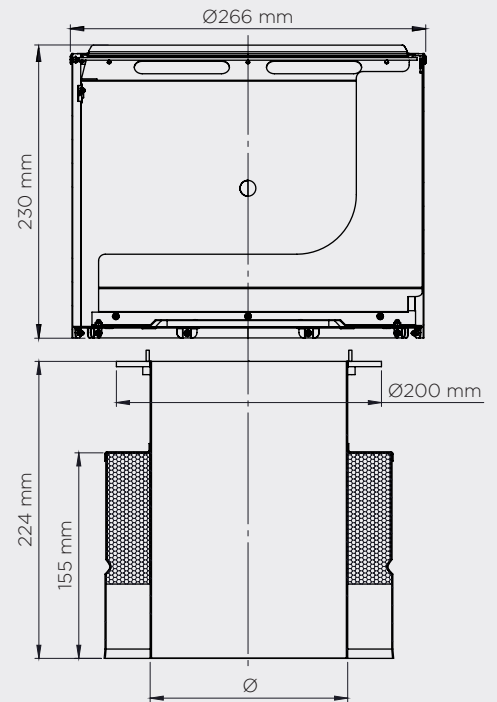
It can also be easily turned on with the included remote control when adding more combustibles to prevent smoke from escaping into the living space.

The active exhaust fan is an easy-to-install **PLUG & PLAY** solution. It can be mounted on the cover plate of a brick chimney as well as on stainless steel chimneys. Specially developed outlet hoods are available for use with Jeremias chimneys.



## CHARACTERISTICS

- For clean and reliable draft in the chimney
- Ideal for starting or refueling fires
- Suitable for stoves and fireplace inserts up to a maximum of 8 kW
- Complies with the PrEN16475-2 standard for exhaust fans
- Made of high-quality stainless steel
- Heat resistant up to 250°C
- Minimal power consumption of 0.036 kW/h
- Can be switched off during operation
- Suitable for all types of fuel
- Foldable cover for easy cleaning



## TECHNICAL DATA

PROTECTION CLASS	IP24D
MAX. OPERATION TEMPERATURE	250 °C
RESISTANCE (ZETA)	6,7
DISCHARGE	vertikal
MOTOR	Shaded pole, class H
REV/M	2.000
VOLTAGE	230 V
AMPERAGE	0,27 A
POWER CONSUMPTION	0,036 kW
WEIGHT	3,2 kg
SOUND LEVEL	25 dB (A)



## SCOPE OF DELIVERY:

- 5 m cable
- Integrated maintenance switch
- Wireless remote control for convenient on/off operation from the living room
- Safety cable for maintenance work

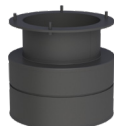
End cap  
DW-FU



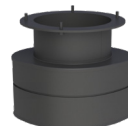
End cap  
DW-ECO



End cap  
DW-BLACK



End cap  
DW-BLACK50



Exhaust fan  
E-FLOW-RS  
unpainted



Exhaust fan  
E-FLOW-RS  
black



DW3031-1		215-DWECO3031-1		16-215-DWECO3031-1		275-DWE50IS3031-1		ZU11149	ZU11149-1
Ø100	104,00 €	Ø100	103,00 €	Ø100	-	Ø100	-	1.280,00 € €	1.280,00 € €
Ø115	110,00 €	Ø115	110,00 €	Ø115	-	Ø115	-		
Ø120	112,00 €	Ø120	112,00 €	Ø120	-	Ø120	-		
Ø130	116,00 €	Ø130	116,00 €	Ø130	130,00 €	Ø130	134,00 €		
Ø140	124,00 €	Ø140	-	Ø140	-	Ø140	-		
Ø150	128,00 €	Ø150	128,00 €	Ø150	144,00 €	Ø150	147,00 €		
Ø160	133,00 €	Ø160	132,00 €	Ø160	-	Ø160	-		
Ø180	159,00 €	Ø180	158,00 €	Ø180	177,00 €	Ø180	185,00 €		
Ø200	168,00 €	Ø200	167,00 €	Ø200	187,00 €	Ø200	194,00 €		