

EXHAUST FAN E-FLOW-RS



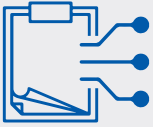
The **E-FLOW-RS** has been specifically designed to improve the draft of fireplaces with low nominal heat outputs in family homes. Its exhaust fan creates increased negative pressure in the chimney, which supports, among other things, in the ignition of combustibles.

It can also be easily turned on with the included remote control when adding more combustibles to prevent smoke from escaping into the living space.

Together with the included exhaust adapter, the **E-FLOW-RS** is an easy-to-install **PLUG & PLAY** solution for Jeremias stainless steel chimneys.

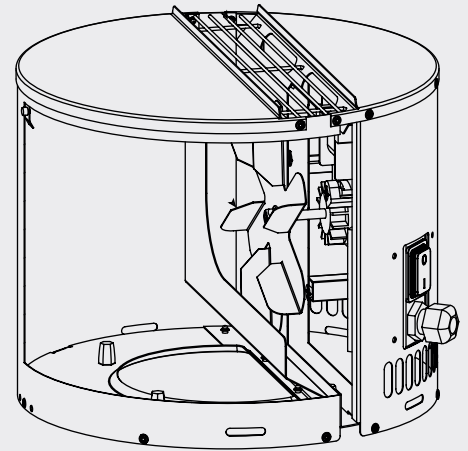
INTERESTED IN
AN **OFFER?**





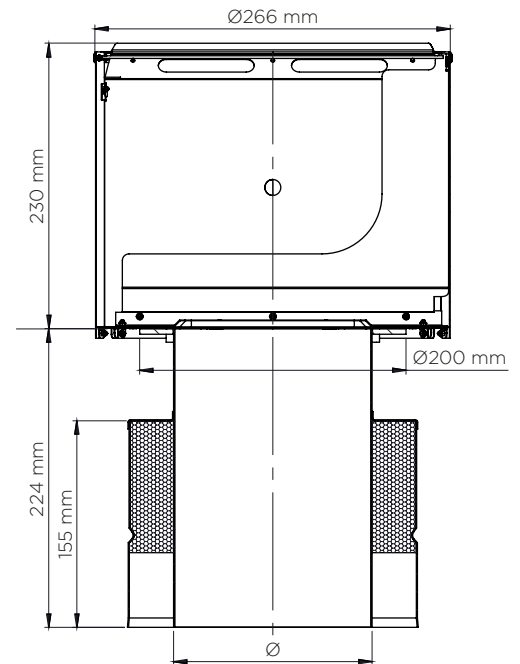
CHARACTERISTICS

- For clean and reliable draft in the chimney
- Ideal for starting or refuelling fires
- Suitable for stoves and fireplace inserts up to a maximum of 8 kW
- Complies with the PrEN16475-2 standard for exhaust fans
- Made of high-quality stainless steel
- Heat resistant up to 250°C
- Minimal power consumption of 0.036 kW/h
- Can be switched off during operation
- Suitable for all types of fuel
- Foldable cover for easy cleaning



TECHNICAL DATA

PROTECTION CLASS	IP24D
MAX. OPERATION TEMPERATURE	250 °C
RESISTANCE (ZETA)	6,7
DISCHARGE	vertikal
MOTOR	Shaded pole, class H
REV/M	2.000
VOLTAGE	230 V
AMPERAGE	0,27 A
POWER CONSUMPTION	0,036 kW
WEIGHT	3,2 kg
SOUND LEVEL	25 dB (A)



SCOPE OF DELIVERY:

- 5 m cable
- Integrated maintenance switch
- Wireless remote control for convenient on/off operation from the living room
- Safety cable for maintenance work

Exhaust fan
E-FLOW-RS DW-FU



Exhaust fan
E-FLOW-RS DW-ECO



Exhaust fan
E-FLOW-RS DW-BLACK



DW3031Ø		215-DWECO3031Ø		16-215-DWECO3031Ø	
Ø100	✓	Ø100	✓	Ø100	
Ø115	✓	Ø115	✓	Ø115	
Ø120	✓	Ø120	✓	Ø120	
Ø130	✓	Ø130	✓	Ø130	✓
Ø140	✓	Ø140	✓	Ø140	
Ø150	✓	Ø150	✓	Ø150	✓
Ø160	✓	Ø160	✓	Ø160	
Ø180	✓	Ø180	✓	Ø180	✓
Ø200	✓	Ø200	✓	Ø200	✓